

NEW STOCKLINE



Self Lubricated Bushings

HDX



Low carbon steel base material, with a sintered bronze powder medium layer, then coated in yellow POM for lubrication.

Benefits

- Suitable for linear, oscillating and rotating movements
- Marginally lubricated bushings for grease or oil lubricated applications
- Operates efficiently at high loads and low speeds
- Maintenance free operation

Technical Information

- Maximum speed 2.5m/s
- Maximum temperature: -40°C + 130°C

HDU



Low carbon steel base material, with a sintered bronze powder medium layer, then coated in PTFE for lubrication.

Benefits

- Incredibly tough
- Machined to size
- Excellent wear resistance
- Carries lubrication
- Contamination tolerant
- Maintenance free operation

Technical Information

- Maximum speed: 2.5m/s
- Maximum temperature: -200°C + 280°C

Distributed by

Pacific Seals, 1D Quadrant Drive, Gracefield, Lower Hutt www.pacificseals.co.nz 04 566 3180

0800 822 722



Self lubricated Bushings

HDX

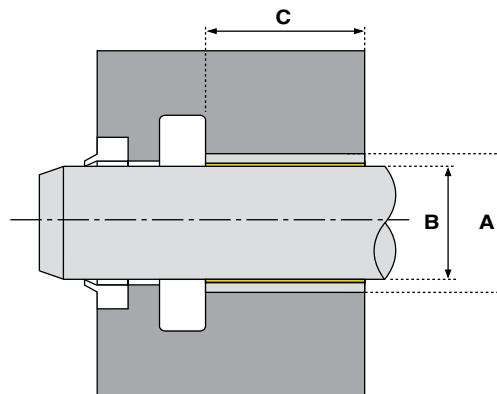
Reference chart

Metric

A (OD)	B (ID)	C (Height)	Part No.
17.00	14.00	16.00	44100
17.00	14.00	20.00	44101
17.00	14.00	25.00	44102
17.00	15.00	25.00	44103
23.00	20.00	25.00	44104
24.00	20.00	25.00	44105
28.00	25.00	25.00	44106
28.00	25.00	30.00	44107
30.00	25.00	22.00	44108
34.00	30.00	30.00	44109
34.00	30.00	40.00	44110
39.00	35.00	30.00	44111
39.00	35.00	40.00	44112
39.00	35.00	50.00	44113
44.00	40.00	30.00	44114
44.00	40.00	40.00	44115
44.00	40.00	50.00	44116
50.00	45.00	30.00	44117
50.00	45.00	40.00	44118
50.00	45.00	50.00	44119
50.00	45.00	60.00	44120
55.00	50.00	25.00	44121
55.00	50.00	30.00	44122
55.00	50.00	40.00	44123
55.00	50.00	50.00	44124
55.00	50.00	60.00	44125
55.00	50.00	70.00	44126
60.00	55.00	30.00	44127
65.00	60.00	40.00	44128
65.00	60.00	50.00	44129
65.00	60.00	60.00	44130
70.00	65.00	40.00	44131
75.00	70.00	40.00	44132
75.00	70.00	50.00	44133
95.00	90.00	80.00	44134
95.00	90.00	100.00	44135
105.00	100.00	80.00	44136
105.00	100.00	100.00	44137

Imperial

A (OD)	B (ID)	C (Height)	Part No.
0.594	0.500	0.500	44138
1.000	0.875	1.250	44139
1.125	1.000	1.000	44140
1.125	1.000	1.875	44141
1.125	1.000	1.125	44142
1.125	1.000	1.500	44143
1.125	1.000	1.750	44144
1.250	1.000	1.875	44145
1.250	1.000	2.000	44146
1.406	1.250	1.250	44147
1.938	1.750	2.000	44148



Self lubricated Bushings

HDU

Reference chart

Metric

A (OD)	B (ID)	C (Height)	Part No.
10.00	8.00	8.00	44200
10.00	8.00	10.00	44201
17.00	14.00	12.00	44202
12.00	10.00	8.00	44203
12.00	10.00	10.00	44204
12.00	10.00	12.00	44205
12.00	10.00	15.00	44206
12.00	10.00	20.00	44207
14.00	12.00	8.00	44208
14.00	12.00	10.00	44209
14.00	12.00	12.00	44210
14.00	12.00	15.00	44211
14.00	12.00	20.00	44212
14.00	12.00	25.00	44213
14.50	12.50	15.00	44214
15.00	13.00	20.00	44215
16.00	14.00	10.00	44216
16.00	14.00	12.00	44217
16.00	14.00	15.00	44218
16.00	14.00	20.00	44219
16.00	14.00	25.00	44220
17.00	15.00	10.00	44221
17.00	15.00	15.00	44222
17.00	15.00	20.00	44223
17.00	15.00	25.00	44224
18.00	16.00	10.00	44225
18.00	16.00	12.00	44226
18.00	16.00	15.00	44227
18.00	16.00	20.00	44228
18.00	16.00	25.00	44229
23.00	20.00	10.00	44230
23.00	20.00	12.00	44231
23.00	20.00	15.00	44232
23.00	20.00	20.00	44233
23.00	20.00	25.00	44234
95.00	20.00	30.00	44235
25.00	22.00	15.00	44236
25.00	22.00	20.00	44237
25.00	22.00	25.00	44238
25.00	22.00	30.00	44239
27.00	24.00	25.00	44240
27.00	24.00	30.00	44241
28.00	25.00	15.00	44242
28.00	25.00	20.00	44243
28.00	25.00	25.00	44244

A (OD)	B (ID)	C (Height)	Part No.
28.00	25.00	30.00	44245
28.00	25.00	40.00	44246
32.00	28.00	20.00	44247
32.00	28.00	30.00	44248
34.00	30.00	15.00	44249
34.00	30.00	20.00	44250
34.00	30.00	25.00	44251
34.00	30.00	30.00	44252
34.00	30.00	40.00	44253
36.00	32.00	20.00	44254
36.00	32.00	25.00	44255
36.00	32.00	30.00	44256
36.00	32.00	40.00	44257
39.00	35.00	20.00	44258
39.00	35.00	25.00	44259
39.00	35.00	30.00	44260
39.00	35.00	40.00	44261
39.00	35.00	50.00	44262
40.00	35.00	25.00	44263
42.00	38.00	20.00	44264
42.00	38.00	40.00	44265
42.00	38.00	50.00	44266
44.00	40.00	20.00	44267
44.00	40.00	25.00	44268
44.00	40.00	30.00	44269
44.00	40.00	40.00	44270
44.00	40.00	50.00	44271
45.00	40.00	30.00	44272
50.00	40.00	20.00	44273
50.00	40.00	25.00	44274
50.00	40.00	30.00	44275
50.00	40.00	40.00	44276
50.00	40.00	50.00	44277
55.00	50.00	20.00	44278
55.00	50.00	25.00	44279
55.00	50.00	30.00	44280
55.00	50.00	40.00	44281
55.00	50.00	50.00	44282
60.00	55.00	20.00	44283
60.00	55.00	25.00	44284
60.00	55.00	30.00	44285
60.00	55.00	40.00	44286
60.00	55.00	50.00	44287
60.00	55.00	60.00	44288
65.00	60.00	20.00	44289



Self lubricated Bushings

HDU

Reference chart

Metric

A (OD)	B (ID)	C (Height)	Part No.
65.00	60.00	25.00	44290
65.00	60.00	30.00	44291
65.00	60.00	40.00	44292
65.00	60.00	60.00	44293
65.00	60.00	70.00	44294
68.00	63.00	40.00	44295
70.00	65.00	25.00	44296
70.00	65.00	30.00	44297
70.00	65.00	35.00	44298
70.00	65.00	40.00	44299
70.00	65.00	50.00	44300
70.00	65.00	60.00	44301
70.00	65.00	70.00	44302
75.00	70.00	25.00	44303
75.00	70.00	30.00	44304
75.00	70.00	35.00	44305
75.00	70.00	40.00	44306
75.00	70.00	50.00	44307
75.00	70.00	60.00	44308
80.00	75.00	25.00	44309
80.00	75.00	30.00	44310
80.00	75.00	35.00	44311
80.00	75.00	40.00	44312
80.00	75.00	50.00	44313
80.00	75.00	60.00	44314
80.00	75.00	70.00	44315
80.00	75.00	80.00	44316
85.00	80.00	30.00	44317
85.00	80.00	40.00	44318
85.00	80.00	50.00	44319
85.00	80.00	60.00	44320
85.00	80.00	100.00	44321
90.00	85.00	30.00	44322
90.00	85.00	40.00	44323
90.00	85.00	50.00	44324
90.00	85.00	60.00	44325
90.00	85.00	100.00	44326
95.00	90.00	30.00	44327
95.00	90.00	30.00	44328
95.00	90.00	50.00	44329
95.00	90.00	60.00	44330
95.00	90.00	100.00	44331
100.00	95.00	30.00	44332
100.00	95.00	40.00	44333
100.00	95.00	50.00	44334

A (OD)	B (ID)	C (Height)	Part No.
100.00	95.00	60.00	44335
100.00	95.00	100.00	44336
105.00	100.00	30.00	44337
105.00	100.00	40.00	44338
105.00	100.00	50.00	44339
105.00	100.00	60.00	44340
105.00	100.00	70.00	44341
105.00	100.00	100.00	44342
105.00	100.00	120.00	44343
110.00	105.00	30.00	44344
110.00	105.00	40.00	44345
110.00	105.00	50.00	44346
110.00	105.00	60.00	44347
110.00	105.00	100.00	44348
115.00	110.00	30.00	44349
115.00	110.00	40.00	44350
115.00	110.00	50.00	44351
115.00	110.00	60.00	44352
115.00	110.00	70.00	44353
115.00	110.00	100.00	44354
120.00	115.00	40.00	44355
120.00	115.00	50.00	44356
120.00	115.00	60.00	44357
120.00	115.00	70.00	44358
120.00	115.00	100.00	44359
125.00	120.00	40.00	44360
125.00	120.00	50.00	44361
125.00	120.00	60.00	44362
125.00	120.00	70.00	44363
125.00	120.00	100.00	44364
135.00	130.00	40.00	44365
135.00	130.00	50.00	44366
135.00	130.00	60.00	44367
135.00	130.00	100.00	44368
140.00	135.00	50.00	44369
145.00	140.00	40.00	44370
145.00	140.00	50.00	44371
145.00	140.00	60.00	44372
145.00	140.00	100.00	44373
155.00	150.00	40.00	44374
155.00	150.00	50.00	44375
155.00	150.00	100.00	44376
165.00	160.00	40.00	44377
165.00	160.00	50.00	44378
165.00	160.00	60.00	44379



Self lubricated Bushings

HDU

Reference chart

Metric

A (OD)	B (ID)	C (Height)	Part No.
165.00	160.00	100.00	44380
175.00	170.00	50.00	44381
175.00	170.00	60.00	44382
175.00	170.00	100.00	44383
185.00	180.00	50.00	44384
185.00	180.00	100.00	44385
195.00	190.00	50.00	44386
195.00	190.00	100.00	44387
205.00	200.00	50.00	44388
205.00	200.00	100.00	44389
225.00	220.00	50.00	44390
235.00	230.00	50.00	44391

Imperial

A (OD)	B (ID)	C (Height)	Part No.
0.312	0.250	0.594	44397
0.594	0.500	0.500	44395
0.594	0.500	0.594	44396
0.781	0.688	0.875	44398
1.125	1.000	1.000	44392
1.125	1.000	1.500	44393
1.125	1.000	2.000	44394
1.656	1.500	1.000	44399

